

Battery Ni-MH

Primary characteristics		
Parameter	Value	Unit
Nominal voltage	4.8	V
Nominal capacity	80	mAh

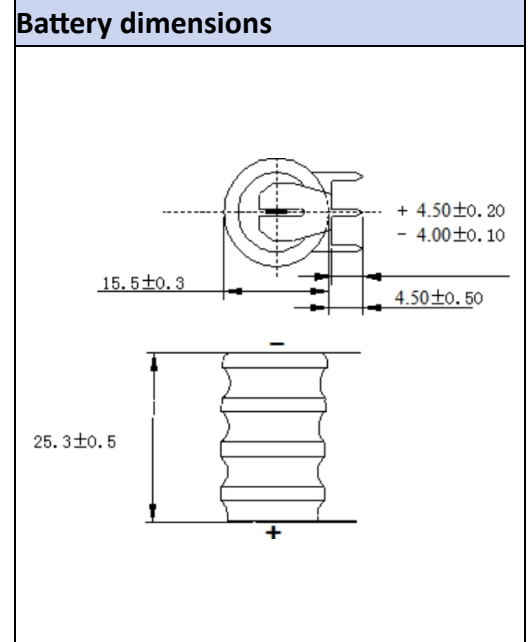
Scope

The purpose of this product specification is to provide technical information for the Ni-MH battery MH 4.8V B4.

The test shall be conducted in strict accordance with the method specified in this specification.

If you have any objection to the test items or test methods, please contact Akyga Battery.

Rechargeable batteries features: dual pin on the “+” single pin on “-”



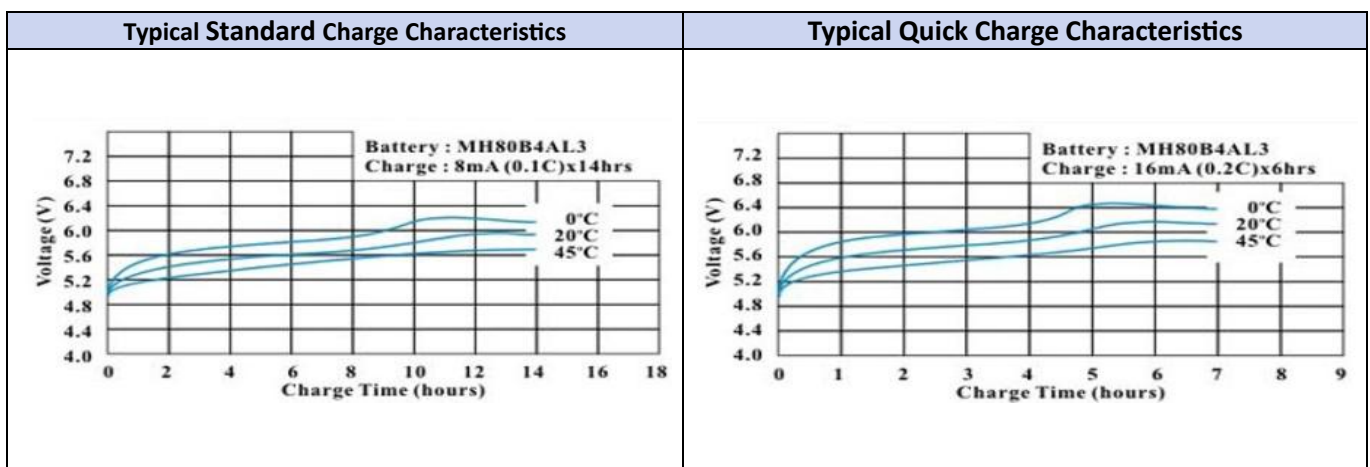
Specification table		
Parameter	Value	Unit
Battery model	MH 4.8V B4	
Nominal voltage	4.8	V
Nominal capacity	80	mAh
Standard charge	8mA (0.1C), 14~16h	
Fast charge	16mA (0.2C), 6~7h	
Charge temperature	-10 / +45	°C
Discharge current	0.1C ~0.2C	
Operating temperature	-20 / +55	°C
Termination voltage	3.0	V
Storage temperature	0 / +25	°C
Average weight	14	g

Charging and Discharge

- For the first time, the battery pack must be charged, even if the battery is in charging state when it leaves the factory
- In general, the battery pack does not advocate fast charging. In emergency cases, attention should be paid to the following points:
 - Special fast charger should be used
 - Frequent use of fast charger, battery pack will be affected to varying degrees
 - Fast charger required strict control of charging time, charging voltage and surface temperature of the battery

- Do not short circuit or positive or negative reverse load in use
- In the same battery pack, different kinds of battery can not be used
- We do not advocate parallel charging and parallel use, it will produce uneven charging current and battery and battery and battery recharge and other bad results

Discharge rate	Current (mA)	Termination voltage (V)	Available capacity (mAh)
0.2C	16	3.0	>75
0.5C	40	3.0	>68



Storage

- The battery should be stored in a cool place 0~25 °C, with a relative humidity of 65 ± 20%
- After 6 months of storage, it is necessary to use the standard 0.1 C current to charge and discharge the battery for 3 cycles, so that the battery can recover its fully capacity.
- When stored or transported, metal objects cannot be mixed with batteries to prevent accidental short circuit.

Akyga Battery reserves the right to make changes without notice to any product specification herein, to make corrections, modifications, enhancements or other changes. Akyga Battery or anyone on its behalf assumes no responsibility or liability for any errors or inaccuracies. Data sheet specifications and its information contained are intended to provide a product description only. "Typical" parameters which may be included on Akyga Battery data sheets and/ or specifications can and do vary in different applications and actual performance may vary over time. Akyga Battery does not assume any liability arising out of the application or use of any product or circuit. Akyga Battery products are not designed, intended or authorized for use in medical, life-saving implant or other applications intended for life-sustaining or other related applications where a failure or malfunction of component or circuitry may directly or indirectly cause injury or threaten a life without expressed written approval of Akyga Battery. Customers using or selling Akyga Battery components for use in such applications do so at their own risk and shall agree to fully indemnify Akyga Battery and its subsidiaries harmless against all claims, damages and expenditures.